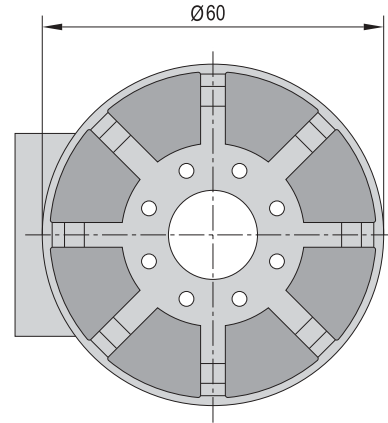
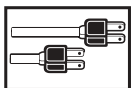
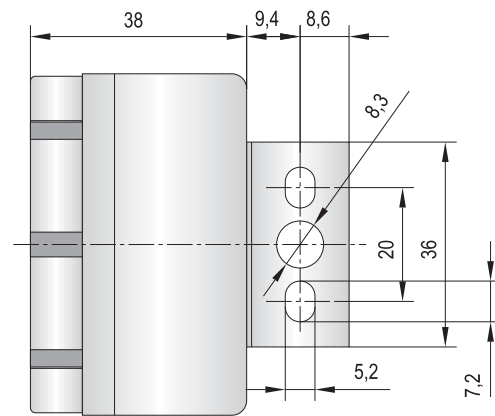


Surface Mount Buzzer-Electronic Siren BU1



Features

- ▶ loud surface mount buzzer/electronic siren with high protection class
- ▶ attractive price-performance ratio
- ▶ ~ 108 dB sound pressure for universal applications
- ▶ pulsing tone
- ▶ metal mounting bracket
- ▶ pre-wired with 2,25 m cable



Technical data

Type	BU1
Housing, Colour	ABS, black
Tone type	pulsing tone
Tone frequency	2.800 ± 400 Hz
Sound pressure	108 dB
Temperature range	-20 °C to +70 °C
Terminal	pre-wired - 2,25 m cable
Weight	110 g



Order data

Type	Nominal voltage (V)	Order No.	Voltage range (V)	Nominal current (mA)
BU1	12 V DC	B100 510 004	6 - 15	300
	24 V DC	B100 510 005	12 - 28	300