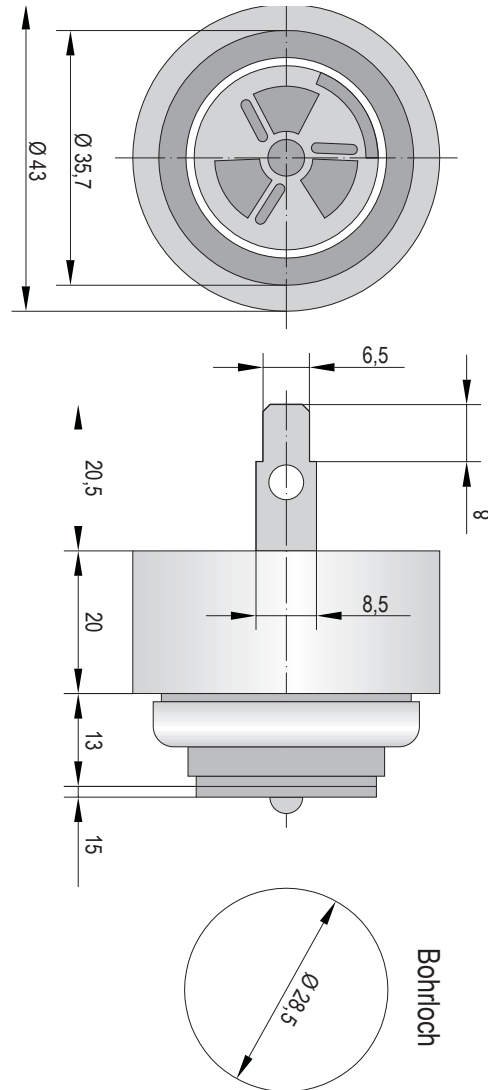
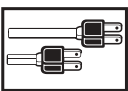
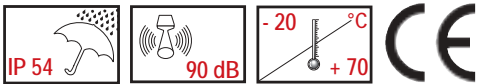


# M28 Panel Mount Buzzer BU2-BU3



- Features**
- loud panel mount buzzers
  - attractive price-performance ratio
  - ~ 90 dB sound pressure for universal applications
  - pulsing tone
  - sound pressure can be infinitely adjusted by turning window (up to approx. 10 dB)
  - models
    - BU 2: 24 V AC/DC
    - BU 3: 220 V AC



## Technical data

Type	BU2	BU3
Housing, Colour	ABS, black	
Nominal voltage	24 V AC/DC	220 V AC
Tone type	pulsing tone	
Tone frequency	3.000 ± 500 Hz	
Sound pressure	90 dB	
Temperature range	-20 °C to +70 °C	
Terminal	spades with screw	
Weight	35 g	



## Order data

Type	Nominal voltage (V)	Order No.	Voltage range (V)	Nominal current (mA)
BU2	24 V AC/DC	B100 520 405	12 - 28	30
BU3	220 V AC	B100 520 313	180 - 240	20